

Figure 1

FOUO 242660

20

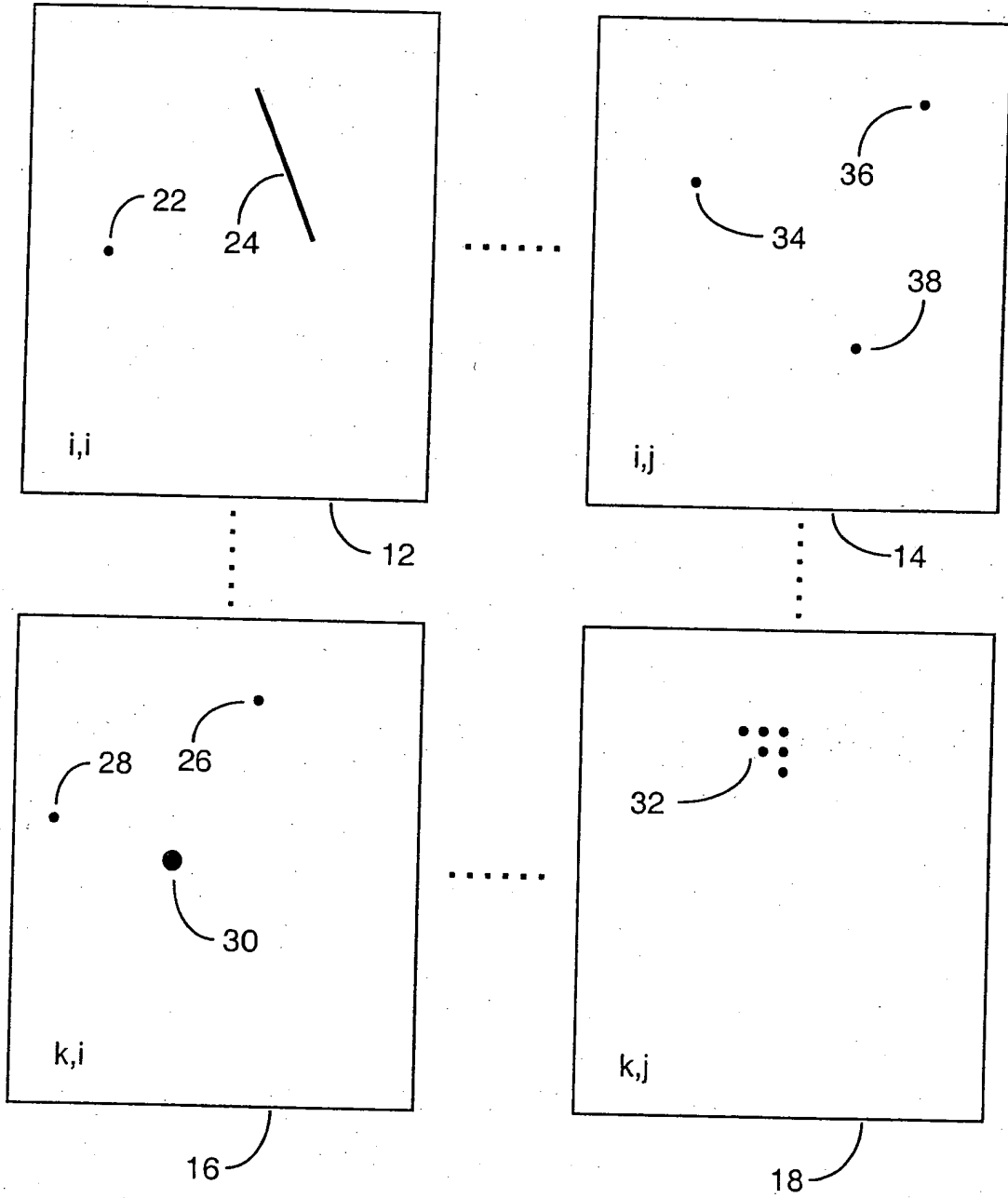


Figure 2

405007 2422660

Filed: October 5, 2001

Inventors: Muradian et al.

Docket No.: HEUR-009CIP

Page 3 of 14

Express mail: ET527025778US

Attorney: Michael A. Blake

Sierra Patent Group, Ltd.

40

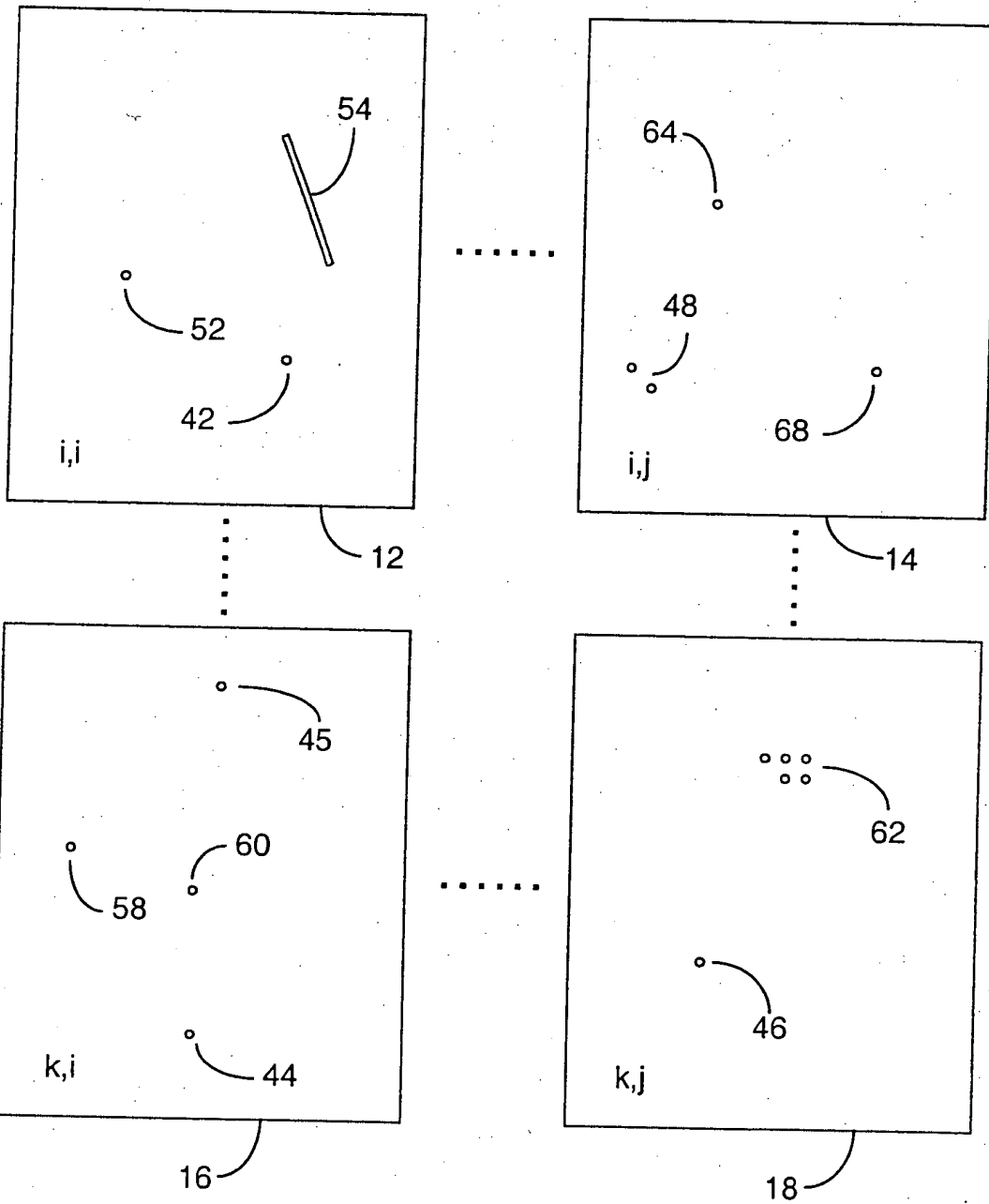


Figure 3

FOUO 2422660

Filed: October 5, 2001

Inventors: Muradian et al.

Docket No.: HEUR-009CIP

Page 4 of 14

Express mail: ET527025778US

Attorney: Michael A. Blake

Sierra Patent Group, Ltd.

70

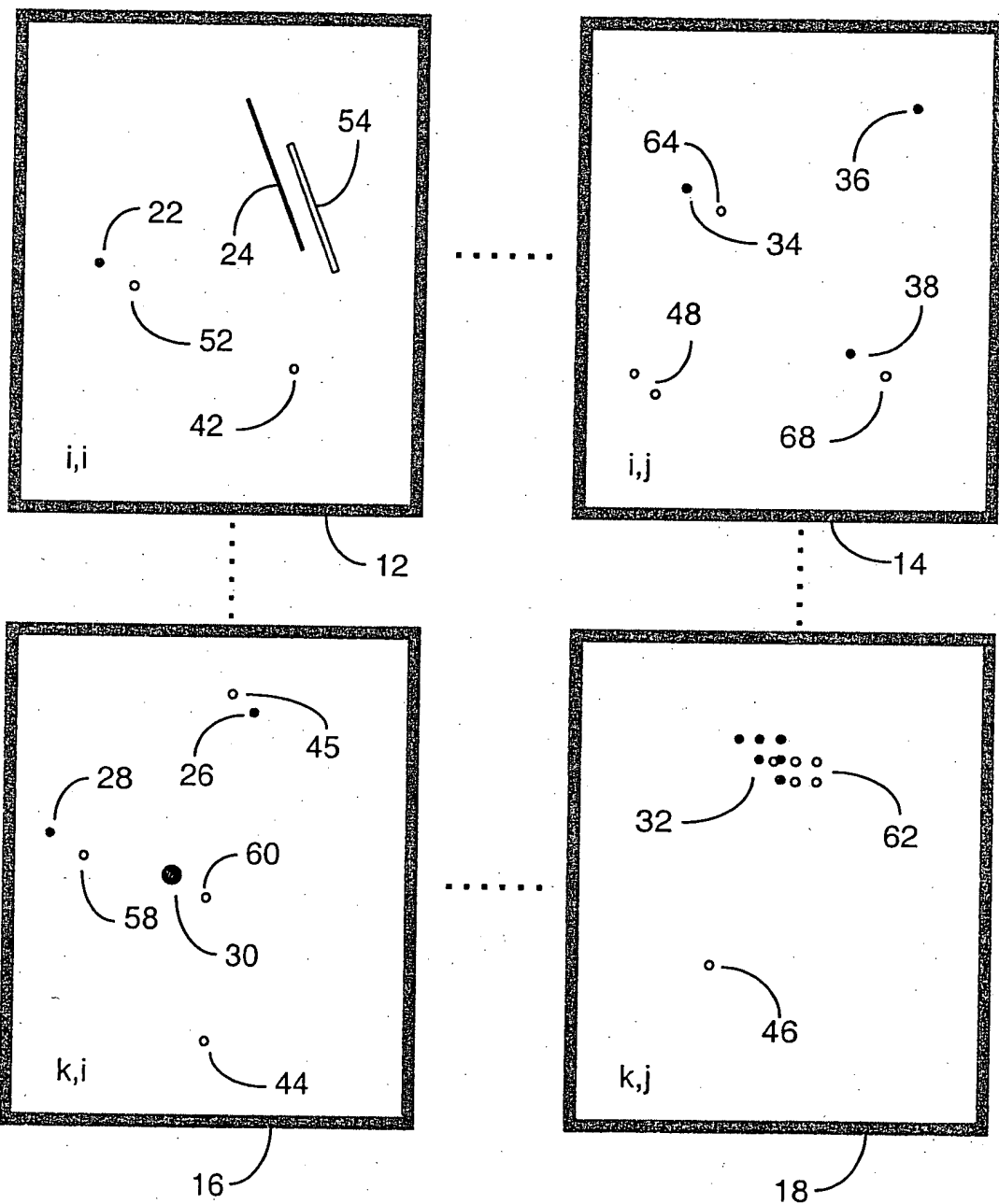


Figure 4

105007 2422660

Filed: October 5, 2001

Inventors: Muradian et al.

Docket No.: HEUR-009CIP

Page 5 of 14

Express mail: ET527025778US

Attorney: Michael A. Blake

Sierra Patent Group, Ltd.

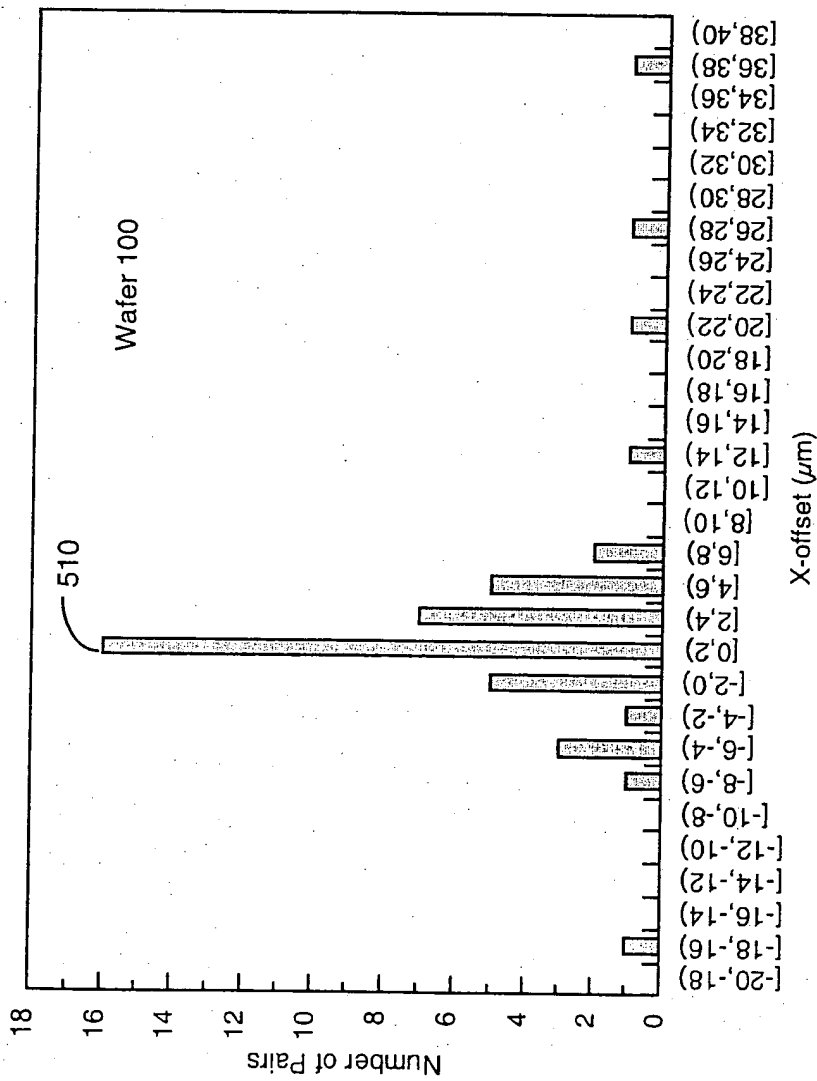


Figure 5

POSTNET 242660

Filed: October 5, 2001

Inventors: Muradian et al.

Docket No.: HEUR-009CIP

Page 6 of 14

Express mail: ET527025778US

Attorney: Michael A. Blake

Sierra Patent Group, Ltd.

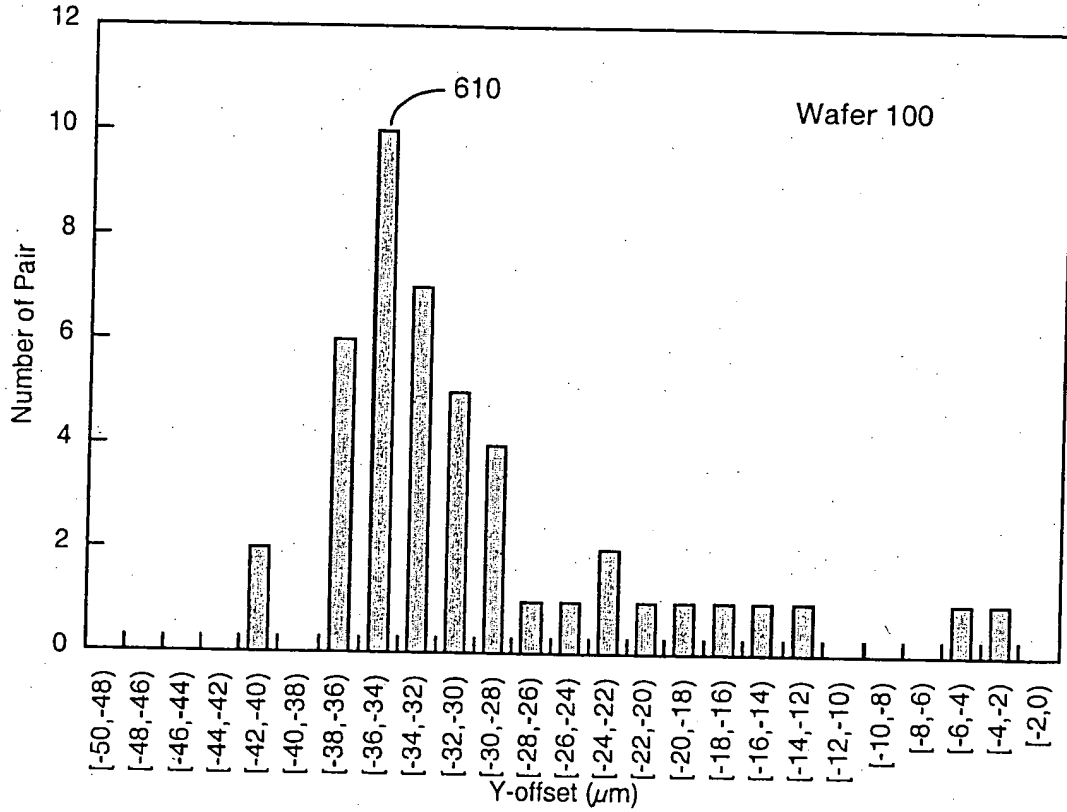


Figure 6

FIGURE 6

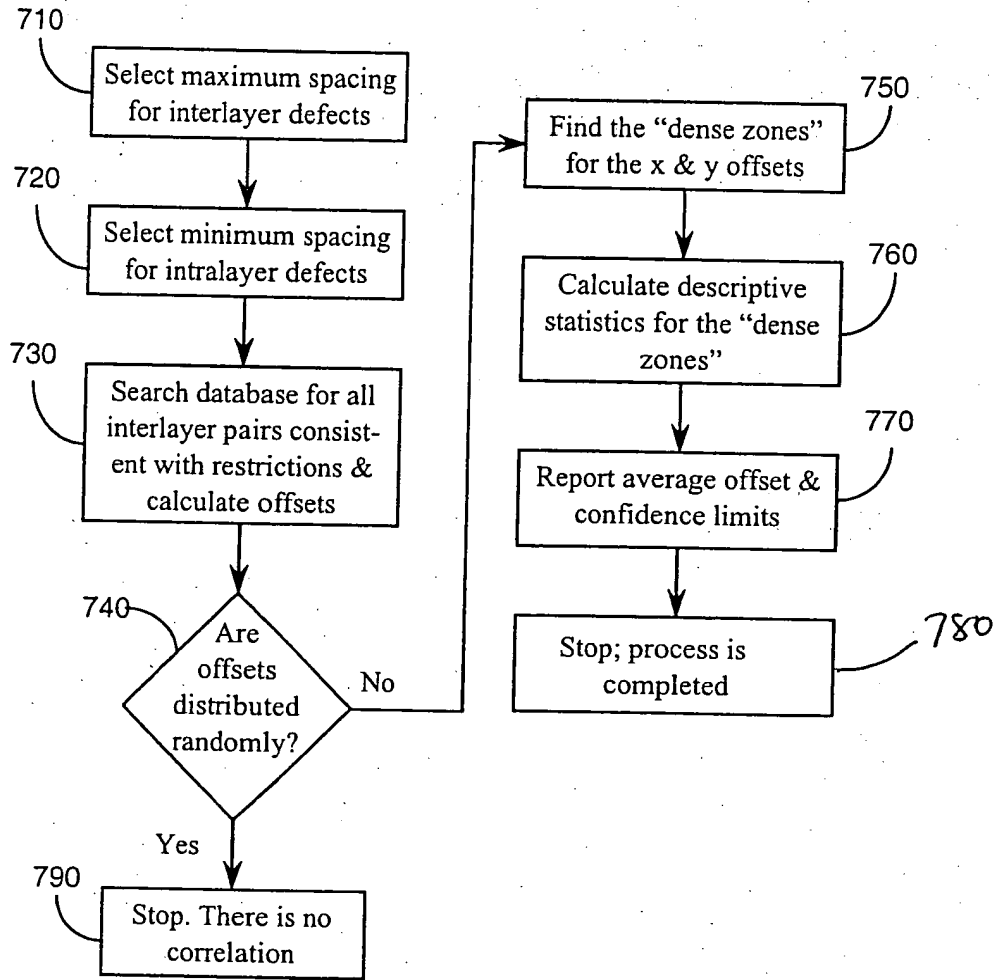


Figure 7

FOR "272660"

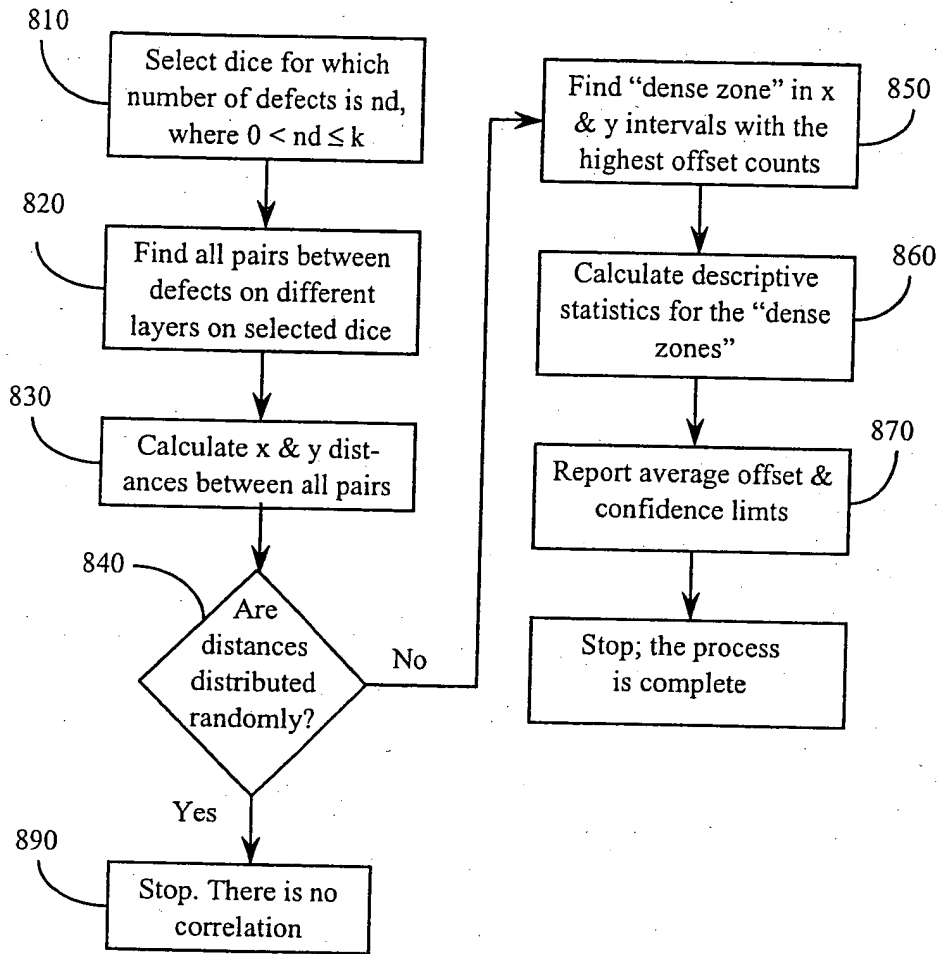


Figure 8

099747 10507 242660



Filed: October 5, 2001

Inventors: Muradian et al.

Docket No.: HEUR-009CIP

Page 9 of 14

Express mail: ET527025778US

Attorney: Michael A. Blake

Sierra Patent Group, Ltd.

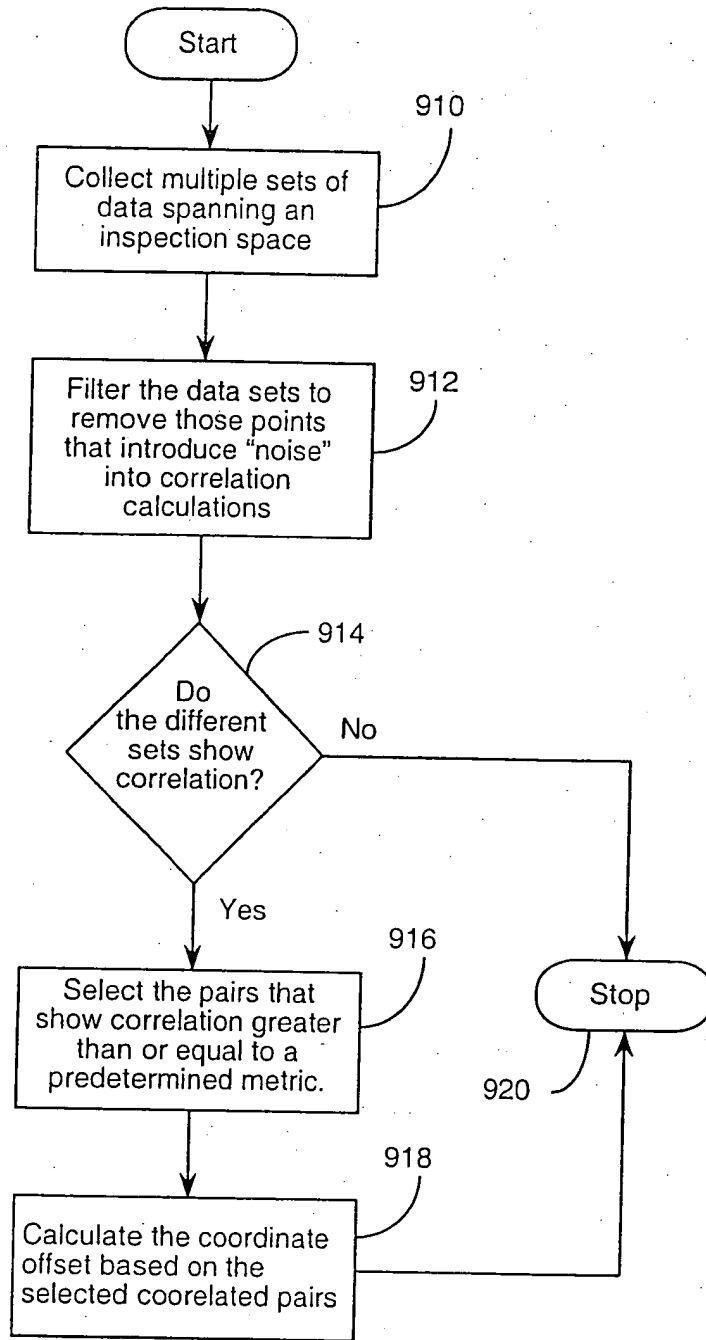


Figure 9

FOIA b 7 - excluded

Filed: October 5, 2001

Inventors: Muradian et al.

Express mail: ET527025778US

Docket No.: HEUR-009CIP

Attorney: Michael A. Blake

Page 10 of 14

Sierra Patent Group, Ltd.

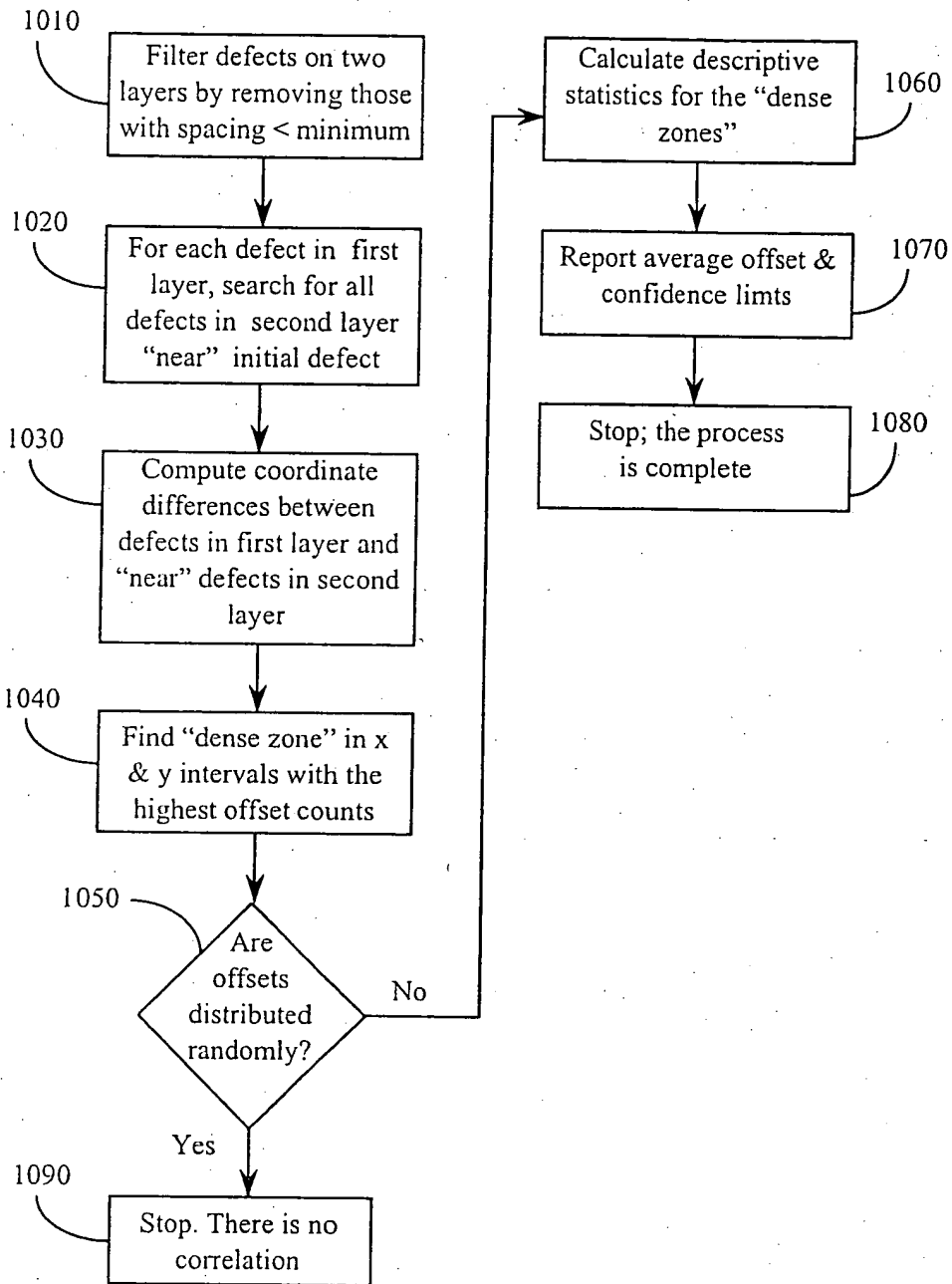


Figure 10

405007-242660

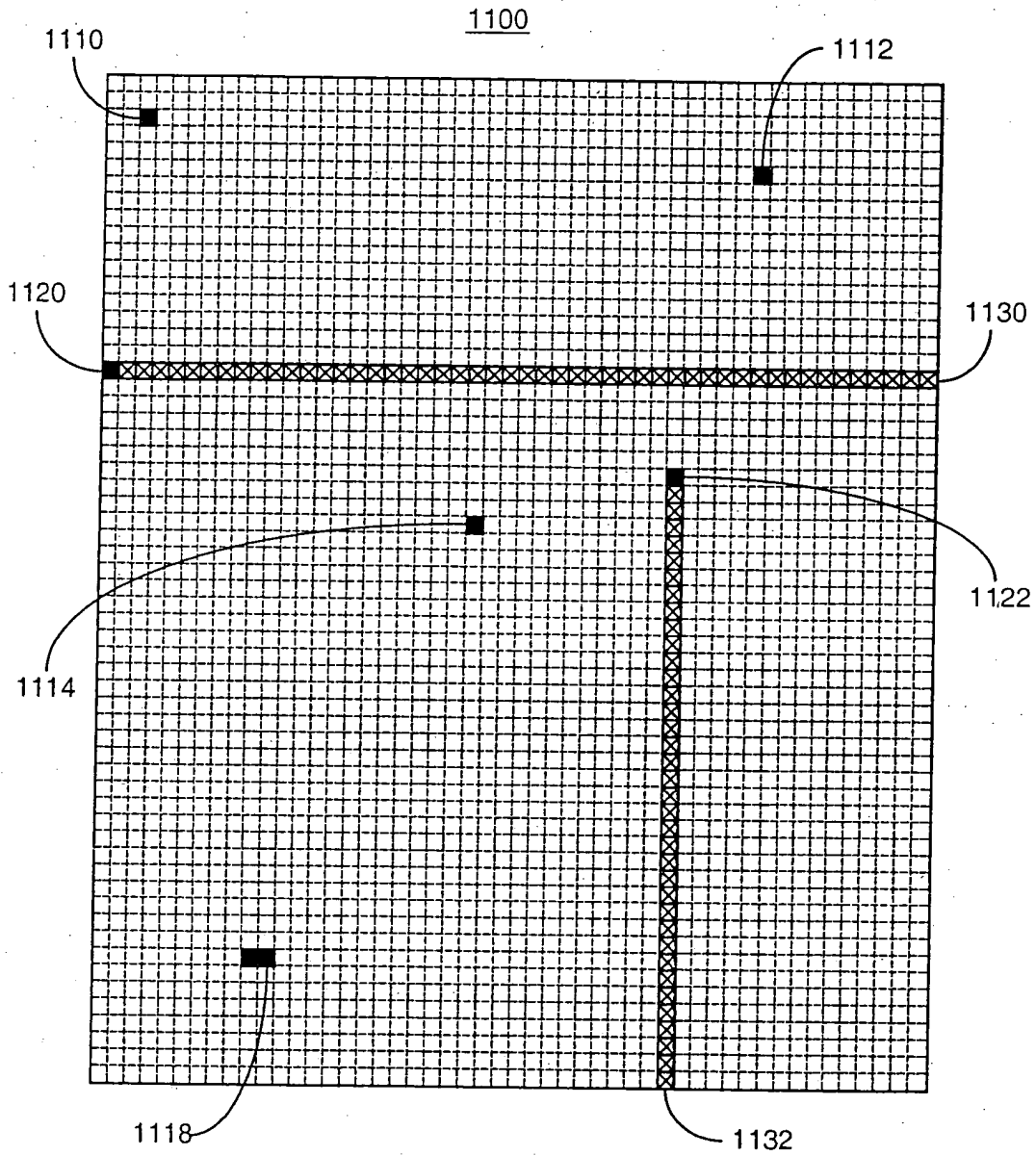


Figure 11

FOOT 2422660

Filed: October 5, 2001

Inventors: Muradian et al.

Docket No.: HEUR-009CIP

Page 12 of 14

Express mail: ET527025778US

Attorney: Michael A. Blake

Sierra Patent Group, Ltd.

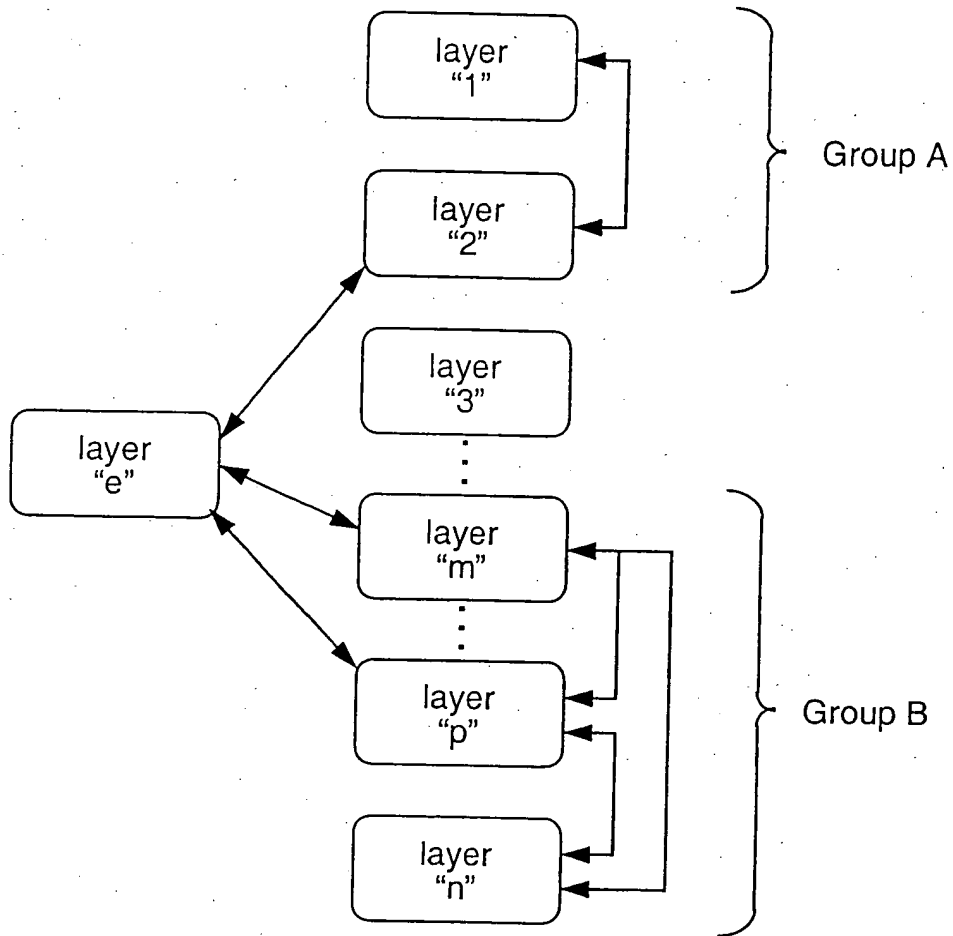


Figure 12

092441800

Filed: October 5, 2001

Inventors: Muradian et al.

Docket No.: HEUR-009CIP

Page 13 of 14

Express mail: ET527025778US

Attorney: Michael A. Blake

Sierra Patent Group, Ltd.

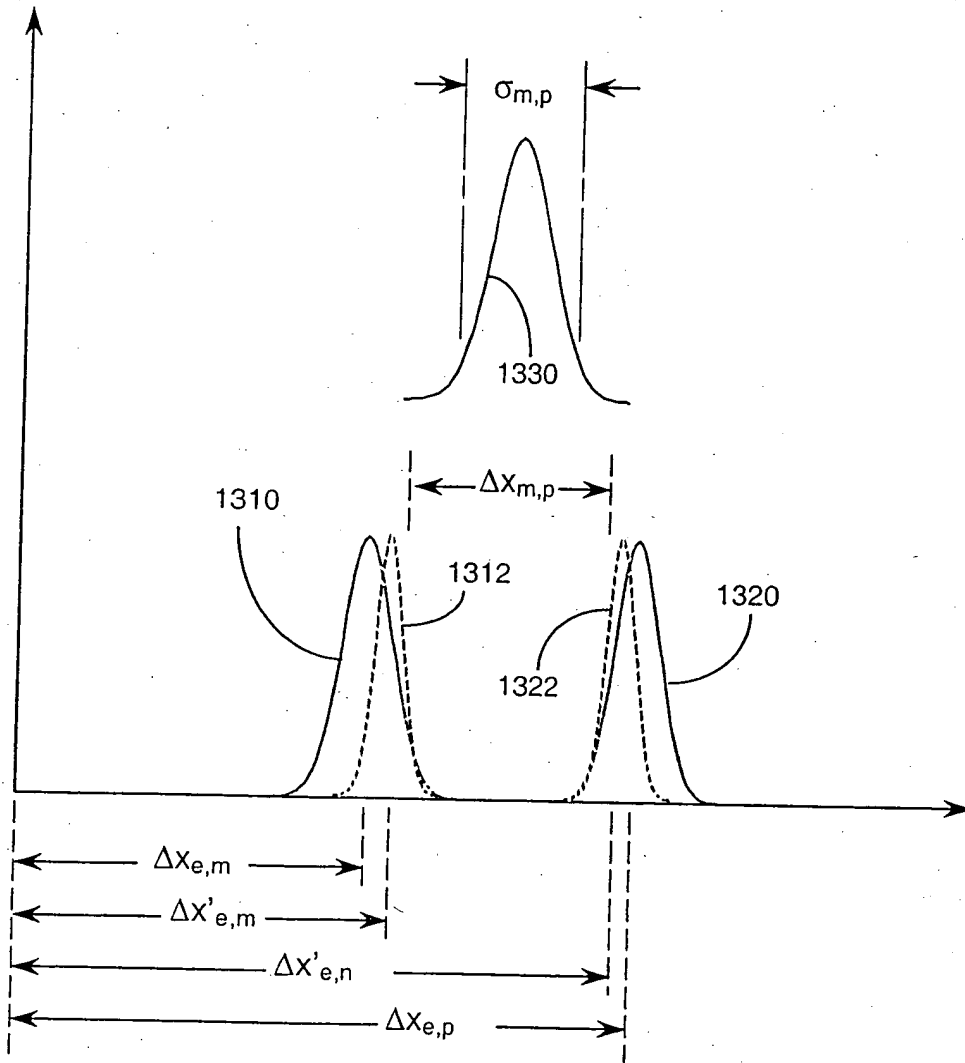


Figure 13

FOR OFFICIAL USE ONLY

Filed: October 5, 2001

Inventors: Muradian et al.

Express mail: ET527025778US

Docket No.: HEUR-009CIP

Attorney: Michael A. Blake

Page 14 of 14

Sierra Patent Group, Ltd.

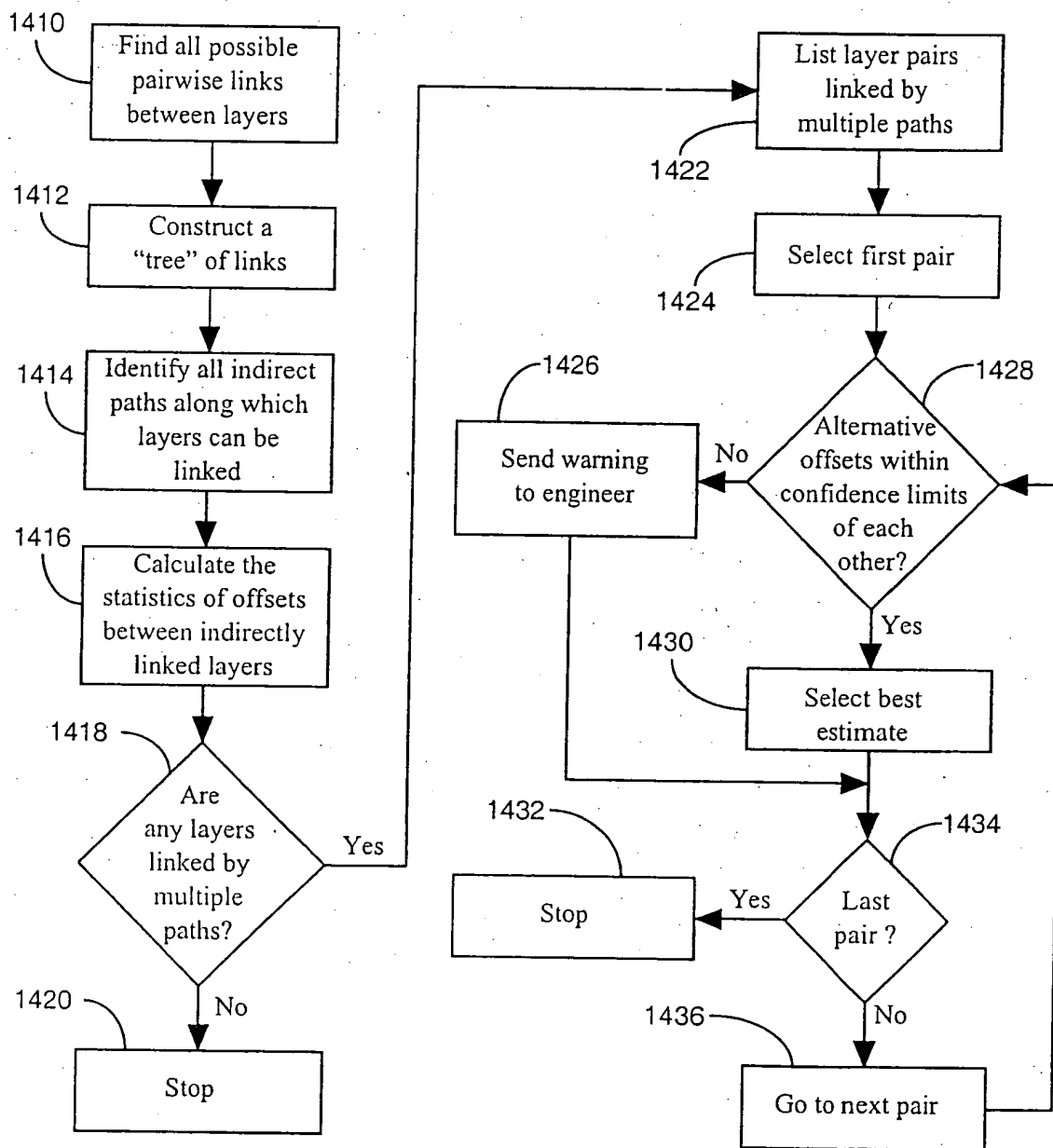


Figure 14

FOOT" 272660